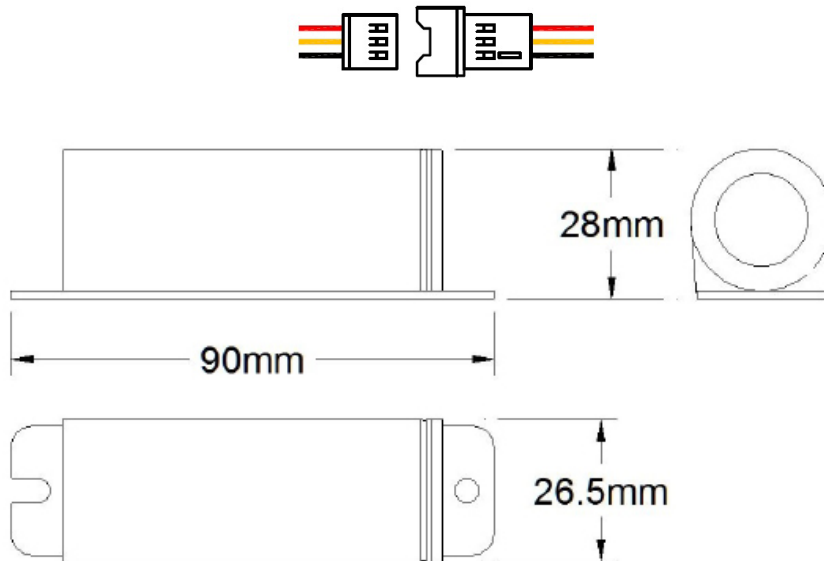


# Battery Technical Specification

1/LP38/S/TE - 3.2V 3.8Ah

Lithium Iron Phosphate Pack



## Technical Details:

Nominal Voltage (V)	3.2 Volts
Nominal Capacity	3.8Ah @ 25°C
Rated Wh	12.2Wh
Standard Charging Current	360mA
Standard Discharge Current	720mA to 2.5V
Charging Cut-off Voltage	3.65V

## Dimensions:

Length and Width	90mm x 28mm x 26.5mm
Fixing Centres	80mm
Weight	131 g

## Temperature:

Standard Temperature Range	0 to + 60°C
Storage (within 1 Year)	0 to + 25°C

There is 1 version available -

## Order Codes

1/LP38/S/TE	3.2V 3.8Ah LiFePO <sub>4</sub> Battery and TE Connector
-------------	---

This battery features a protection circuit module (PCM) that regulates the current between cells and protects the battery from any potential short circuit situations. The battery also features temperature monitoring via the yellow cable.



Batteries supplied with leads are fitted with an irreversible socket & 20cm of cable.

**ENSURE CORRECT POLARITY**



We advise that when shipping these batteries by air, that IATA regulation UN3481 PI966 is followed. This states that the battery must be packed with its associated control gear and the above label must appear on the outer packaging.