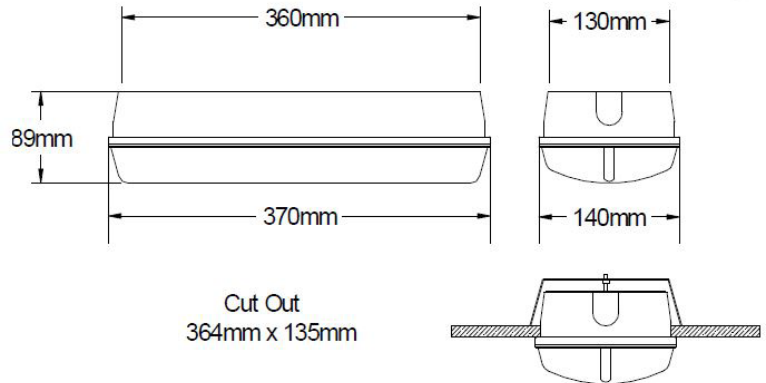


Technical Specification
OLP/2/CASAMBI -
 High Output Emergency Bulkhead



- IP65 Ingress Protection
- Ready for Connection to Casambi
- 1163 Lumen in Mains Operation
- 842 Lumen in Emergency Operation
- Makrolon Diffuser with High LOR
- Photometrically Tested by Lux TSI
- Extra Long Life LiFePO4 Batteries
- High Output for Higher Ceilings
- Can be Supplied with Exit Legend

The OLP/2 is a high quality emergency LED bulkhead which is designed for interior and exterior applications.

The high output LED strip provides 1163 lumen in mains operation and 842 lumen in emergency operation after the diffuser.

This product is supplied ready to wirelessly connect to a Casambi control system.

Order Codes:

OLP/2/NM/CASAMBI Non-Maintained Casambi Ready IP65 LED Bulkhead

OLP/2/M/CASAMBI Maintained Casambi Ready IP65 LED Bulkhead

Spacing Table:

Mounting Height	Axial to Wall		Axial to Axial		Transverse to Axial		Transv. to Transv.		Transverse to Wall	
	0.5 Lux	1.0 Lux	0.5 Lux	1.0 Lux	0.5 Lux	1.0 Lux	0.5 Lux	1.0 Lux	0.5 Lux	1.0 Lux
2.5m	2.9m	2.3m	9.7m	7.0m	10.9m	8.5m	13.2m	11.2m	5.6m	4.5m
3.0m	3.0m	2.5m	8.3m	6.0m	11.4m	9.1m	14.5m	12.2m	6.1m	4.6m
4.0m	3.4m	2.5m	8.4m	6.8m	12.6m	9.9m	16.7m	13.0m	6.5m	4.8m
5.0m	3.6m	2.4m	9.0m	7.1m	13.4m	10.3m	17.9m	13.4m	6.7m	4.3m
6.0m	3.6m	1.5m	9.8m	7.2m	14.2m	10.3m	18.6m	13.4m	6.7m	2.6m
8.0m	2.7m	-	10.1m	5.3m	14.7m	7.2m	19.2m	9.1m	4.5m	-

Technical Details:

Input Voltage	230-240 Volts 50/60Hz	Mains Output	1163 Lumen
Power Rating Non-Maintained *	3.6W 19.8mA $\lambda = 0.77$	Emergency Output	842 Lumen
Power Rating Maintained	12.4W 71mA $\lambda = 0.73$	Recharge Time	24-Hours
Emergency Duration	3-Hours	Battery Type	6.4V 4.8Ah LiFePO4
Light Source	V-S 23.5V 8.23W LED	Mains Cable Terminal	0.5mm x 2.5mm Cable
Beam Angle	125° x 117°	Ingress Protection	IP65
Light Source Colour Temperature	4000K	Dimensions	370mm x 140mm x 89mm
Ta	25 °	Weight	2.1Kg

* Following its initial Charge the OLP/2 will spend 90% of its operational life in standby mode