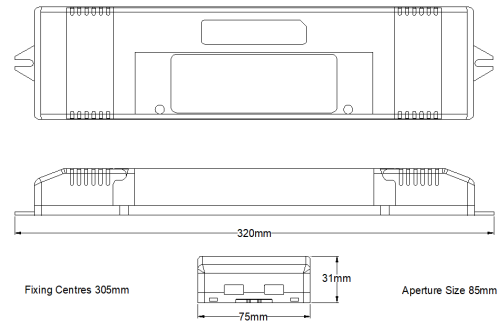


Technical Specification
T2N/2/SP85/R - High Output
 High Voltage Remote DALI-2 Self-Test Range



The T2N/2/SP85/R is supplied as a remote conversion kit for mounting away from the fitting. This kit would be used in applications where space inside the fitting is limited.

- DALI-2 Self-Test Conversion Kit
- Deep discharge protection
- Complete Kit Housed in One Enclosure
- Extra Long Life LiFePO4 Batteries
- Converts LED Loads from 50-300 Volts
- Moulded in High Grade Polycarbonate
- Average Emergency Power of 4.3W
- Operates with LiteMesh Wireless Systems

A 3-hour DALI-2 self-test emergency lighting conversion kit which operates with extra long life LiFePO4 batteries. The unit is designed to suit an extremely wide range of LED types and circuits. The T2N/2/SP85/R automatically adjusts the output LED current to provide the best match between the battery and the load, providing maximum illumination whilst ensuring full battery duration.

There is one version available -

Please note that if mounting this kit more than 1m away from the luminaire, Fire Rated cable must be used to connect the pack to the fitting. (BSEN5266-1)

Order Codes

T2N/2/SP85/R For LED loads, operating in voltage range of 50 - 300 Volts

Unit supplied in single part remote enclosure with cables for simple connection.

Technical Details:

| | | | |
|-------------------------|----------------------------|-------------------------------|--|
| Mains Supply | 230-240V AC 50/60 Hz | Max Ta and Tc | Ta - 50 °C - Tc - 70 °C |
| Power Rating (Charging) | 3.9W 21mA $\lambda = 0.77$ | Max Battery Temperature | 55 °C |
| Power Rating (Standby) | 1.4W 12mA $\lambda = 0.47$ | Charge Indicator | Bi-Colour on Flying Lead |
| Duration | 3-Hours | Battery Discharge Current | 950mA Nominal |
| Recharge Period | 24-Hours | Discharge Voltage Limit (DDP) | 5.0 Volts |
| Battery Size & Type | 6.4V 3.8Ah LiFePO4 Cell | Ingress Protection | IP20 |
| Charge Current | 225mA Nominal | Terminal - Push Wire | 0.5mm ² - 1.5 mm ² |
| Enclosure Material | Polycarbonate | Dimensions (LxWxH) | 320mm x 75mm x 31mm |
| Weight | 1.28Kg | | |

* After its initial charge, the T2N/2/SP85/R will spend 90% of its operational life in the standby mode

Tel +44 (0)1708 372223 | www.liteplan.com | customerservice@liteplan.com | RM3 0AP. UK

Liteplan reserve the right to change colour, price or specification without prior notice