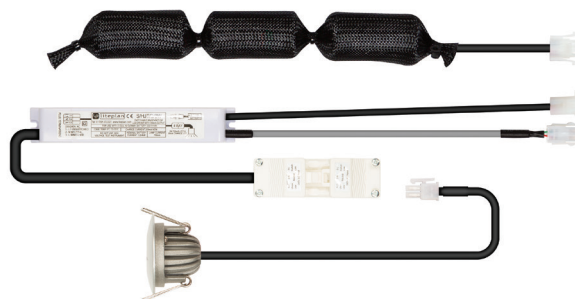


PLEASE READ THESE INSTRUCTIONS BEFORE COMMENCING INSTALLATION & LEAVE WITH END USER

Description:

The S-HJT/3/NM3 kit is a standalone 3 hour non-maintained emergency driver unit suitable for use with a variety of ceiling mounting 3W LED 700mA minispot units. The battery is a 3.6V 4.5Ah Nickel Cadmium (NiCd) that provides a 700mA output to the LED emitter in emergency conditions.

The kit is supplied with a choice of differing LED emitters which offer varying outputs and arcs of illumination.



Specification:

Input Voltage	230-240 Volts AC 50/60 Hz
Input Current & PF	26mA - $\lambda = 0.42$
Duration	3 hours
Ambient Temp.	0°C to + 50°C
Max Case Temperature	70°C
Max Battery Temperature	55°C
Mains Input Terminal	0.5mm - 1.5mm
Battery Fuse	Internal
Battery Discharge Current	1000mA
Discharge Voltage Limit	3.0V
Ingress Protection	IP20
Battery Pack	3.6V 4.5Ah NiCd
Charge Current	200mA \pm 25mA
Recharge Period	24 Hours
Module Size (L x W x H)	152mm x 26.5mm x 28.5mm
Fixing Centres	145mm
Battery Size (L x Diameter)	270mm x 38mm
Module Weight	0.09Kg
Battery Weight	0.40Kg
LED Weight	0.06Kg
Aperture	40mm

Lumen and Optic Angle

S-HJT/3/NM3/40/NL	110 ° Open Area Optic 194 lumen
S-HJT/3/NM3/40/OA	110 ° Open Area Optic 207 lumen
S-HJT/3/NM3/40/CO	125 ° x 50 ° Corridor Optic 197 lumen
S-HJT/3/NM3/41	110 ° Open Area Optic 231 lumen

Important

It is recommended that the remote kit is installed by a competent person ensuring the installation complies with the necessary standards. Liteplan accept no responsibility for injury, damage or loss, which may arise as a result of incorrect installation, operation or maintenance.

The conversion requires an unswitched supply for charging the battery and a switched supply for maintained operation.

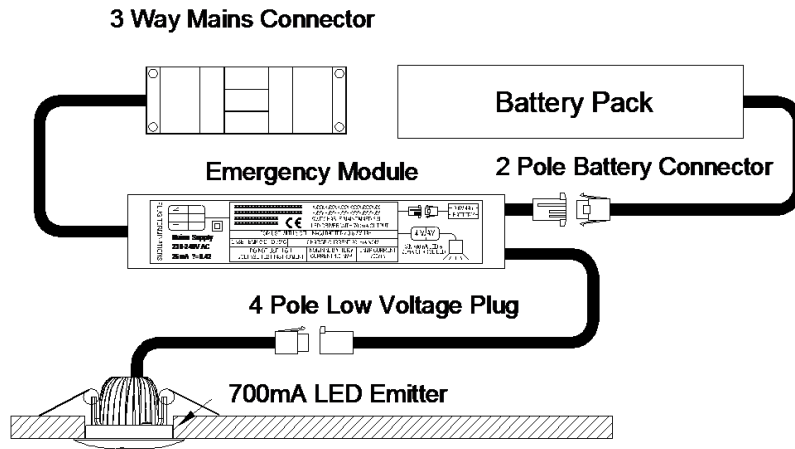
ISOLATE MAINS SUPPLIES AND DISCONNECT THE BATTERY BEFORE INSTALLATION OR MAINTENANCE.

Installation:

1. Cut a 40mm diameter hole in the ceiling tile.
2. Connect the LED to the main assembly via the 4 way connector.
3. Connect the 2 core mains input cable as follows - Black Unswitched (Battery Charging) 240V and Blue to Neutral.
4. Only connect the battery when the Un-switched supply is fully assured. Even though these units are protected with a Deep Discharge Protection Circuit, the Batteries can be damaged by being left in an uncharged state for prolonged periods. Ensure correct polarity.
5. When the supply is present and the battery connected, check that the green LED indicator is illuminated showing that the supply is healthy and the batteries are charging.
6. Pass the whole assembly through the 40mm aperture and clip the LED housing into the ceiling.

PLEASE READ THESE INSTRUCTIONS BEFORE COMMENCING INSTALLATION & LEAVE WITH END USER

Typical Wiring
Diagram



Testing/Commissioning:

- Ensure the Load is connected.
- Connect the battery.
- Switch on the Unswitched Supply - Check the Charge LED illuminates.
- Switch off the Unswitched Supply - Check the Charge LED extinguishes and the load LED illuminates at a reduced output.
- Enter the commissioning date on the Battery Pack.
- Switch on the Unswitched Supply

Luminaire Ref/Location			In Case of difficulty, contact the Installation Engineers:- Tel:							
Full Recharge Time 24 Hours			Duration 3 Hours				Lamp Type - LED			
ROUTINE TEST RECORD										
	Year 1		Year 2		Year 3		Year 4		Year 5	
Monthly Test	Signed	Date	Signed	Date	Signed	Date	Signed	Date	Signed	Date
Functional										
Functional										
Functional										
Functional										
Functional										
Functional										
Functional										
Functional										
Functional										
Functional										
Three Hour										