

PLEASE READ THESE INSTRUCTIONS BEFORE COMMENCING INSTALLATION & LEAVE WITH END USER

Description:

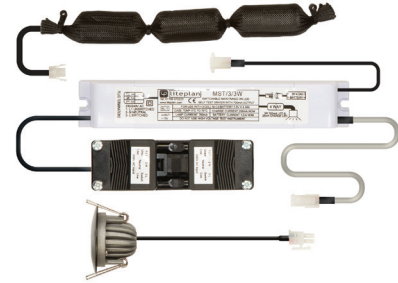
The MST/3 kit is a standalone 3 hour non-maintained self-test emergency driver unit suitable for use with a variety of ceiling mounting 3W LED 700mA minispot units. The battery is a 3.6V 4.5Ah Nickel Cadmium (NiCd) that provides a 700mA output to the LED emitter in emergency conditions.

The kit is supplied with a choice of differing LED emitters which offer varying outputs and arcs of illumination.

The product will commission and test itself in accordance with the requirements of the British Standards.

Specification:

Input Voltage	230-240 Volts AC 50/60 Hz
Input Current & PF	28.8mA - $\lambda = 0.44$
Duration	3 hours
Ambient Temp.	0°C to + 50°C
Max Case Temperature	70°C
Max Battery Temperature	55°C
Mains Input Terminal	0.5mm - 1.5mm
Battery Fuse	Internal
Battery Discharge Current	1000mA
Discharge Voltage Limit	3.0V
Ingress Protection	IP20
Battery Pack	3.6V 4.5Ah NiCd
Charge Current	200mA \pm 25mA
Recharge Period	24 Hours
Module Size (L x W x H)	152mm x 26.5mm x 28.5mm
Fixing Centres	145mm
Battery Size (L x Diameter)	270mm x 38mm
Module Weight	0.09Kg
Battery Weight	0.40Kg
LED Weight	0.06Kg
Aperture	40mm



Lumen and Optic Angle

MST/3/NM3/40/NL	110 ° Open Area Optic 194 lumen
MST/3/NM3/40/OA	110 ° Open Area Optic 207 lumen
MST/3/NM3/40/CO	125 ° x 50 ° Corridor Optic 197 lumen
MST/3/NM3/41	110 ° Open Area Optic 231 lumen

Important

It is recommended that the remote kit is installed by a competent person ensuring the installation complies with the necessary standards. Liteplan accept no responsibility for injury, damage or loss, which may arise as a result of incorrect installation, operation or maintenance.

The product requires an unswitched supply for charging the battery.

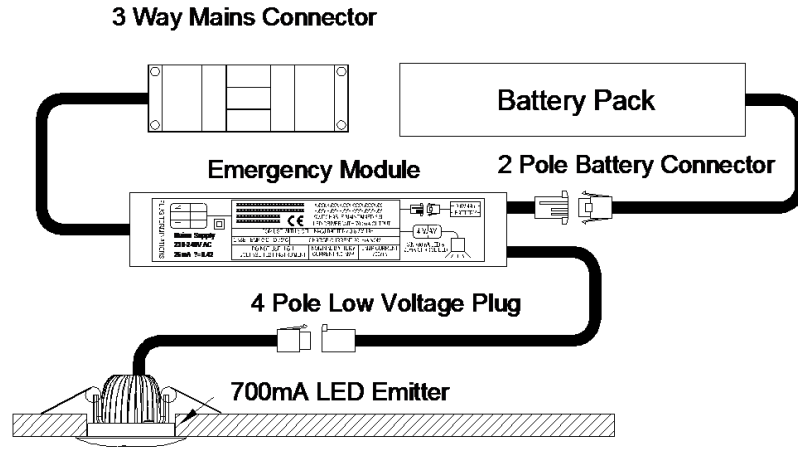
ISOLATE MAINS SUPPLIES AND DISCONNECT THE BATTERY BEFORE INSTALLATION OR MAINTENANCE.

Installation:

1. Cut a 40mm diameter hole in the ceiling tile.
2. Connect the LED to the main assembly via the 4 way connector.
3. Connect the 2 core mains input cable as follows - Black Unswitched (Battery Charging) 240V and Blue to Neutral.
4. Only connect the battery when the Un-switched supply is fully assured. Even though these units are protected with a Deep Discharge Protection Circuit, the Batteries can be damaged by being left in an uncharged state for prolonged periods. Ensure correct polarity.
5. When the supply is present and the battery connected, check that the green LED indicator is illuminated showing that the supply is healthy and the batteries are charging.
6. Pass the whole assembly through the 40mm aperture and clip the LED housing into the ceiling.

PLEASE READ THESE INSTRUCTIONS BEFORE COMMENCING INSTALLATION & LEAVE WITH END USER

Typical Wiring
Diagram



Device Status Indicator:

Green Solid		Battery connected & charging	Red Fast Flash	2 x 0.5 sec On, 2.0 sec Off	Lamp Fault
Green Slow Flash	0.2 sec On, 2.0 sec Off	Function Test in progress	Red Slow Flash	0.5 sec On, 3.0 sec Off	Battery Fault
Green Slow Flash	0.2 sec On, 2.0 sec Off	Duration Test in progress	Red & Green Off		In Emergency Mode

Luminaire Ref/Location			In Case of difficulty, contact the Installation Engineers:- Tel: _____							
Full Recharge Time 24 Hours			Duration 3 Hours				Lamp Type - LED			
ROUTINE TEST RECORD										
	Year 1		Year 2		Year 3		Year 4		Year 5	
Monthly Test	Signed	Date	Signed	Date	Signed	Date	Signed	Date	Signed	Date
Functional										
Functional										
Functional										
Functional										
Functional										
Functional										
Functional										
Functional										
Functional										
Functional										
Three Hour										