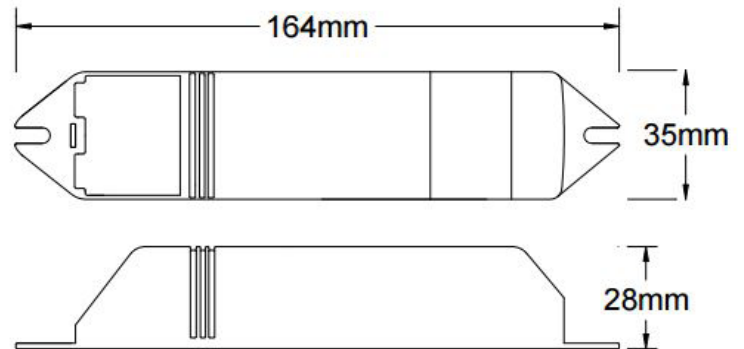


PLEASE READ THESE INSTRUCTIONS BEFORE COMMENCING INSTALLATION & LEAVE WITH END USER

Description:

The DLP/3 is a compact 3 hour switchable maintained DALI LED Emergency Lighting Module and can form part of any DALI compliant emergency lighting system. The unit is designed to power 1 LED at 700mA in Emergency mode and is supplied with a 9.6V 1.5Ah LiFePO4 Battery pack. If the unit is not connected to a DALI system, it acts as a Self-Test Lighting Module.



Fixing Centres 150mm x M4

Specification:

Input Voltage	230-240 Volts AC 50/60 Hz
Input Current & PF	Non-Maint. 16mA - $\lambda = 0.48$
Insulation between supply & battery	Double Reinforced
Isolation between supply & DALI Terminals \geq	1.5kV
Duration	3 hours
Ambient Temp.	0°C to + 50°C
Max Case Temperature	75°C
Max Battery Temperature	60°C
Terminal Blocks	0.5-1.5mm ² Push Wire
Battery Fuse	Internal
Battery Discharge Current	400mA
Discharge Voltage Limit	7.5V
Ingress Protection	IP20
Battery Pack	9.6V 1.5Ah LiFePO4
Charge Current	Dual Rate 0-225mA
Recharge Period	24 Hours
Module Size (L x W x H)	149mm x 35mm x 28mm
Module Fixing Centers	132mm
Module Weight	0.1Kg

Battery Details (mm)

Stick 228 x 26 x 24mm FC = 213mm

Plate 103 x 55 x 28mm

Battery Weight	0.23Kg
----------------	--------

DLP/3

700mA Maintained Emergency
Driver for Single LED Loads
Open Circuit Voltage (U-OUT) = 4 Volts

Important

It is recommended that the module is installed by a competent person ensuring the installation complies with the necessary standards. Liteplan accept no responsibility for injury, damage or loss, which may arise as a result of incorrect installation, operation or maintenance.

The conversion requires an unswitched supply for charging the battery and a switched supply if the unit is being used for maintained operation.

ISOLATE BOTH MAINS SUPPLIES AND DISCONNECT THE BATTERY BEFORE INSTALLATION OR MAINTENANCE.

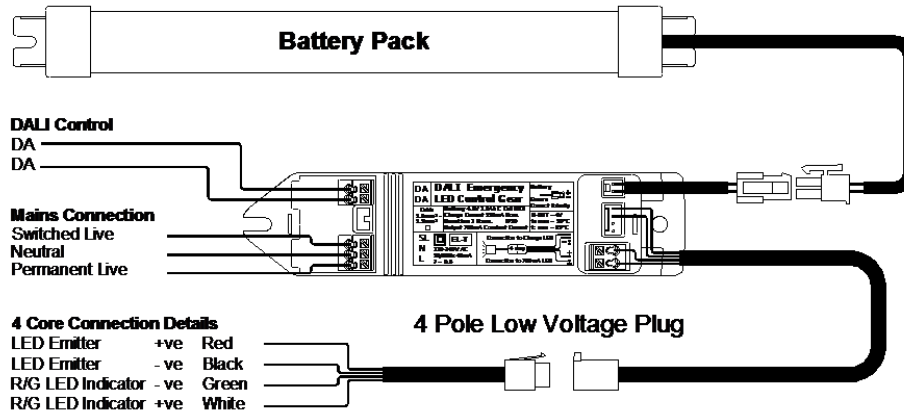
Installation

When converting a luminaire observe the following points:-

1. Fit the module & battery pack into the existing luminaire ensuring that they will operate within their temperature ratings.
2. If the module & battery pack do not fit integrally, then a remote conversion can be used. Ensure that the interconnecting loom is kept as short as possible.
3. Wire the module & battery into the luminaire as per wiring diagram on Pg2.
4. Ensure that the Permanent Live & Switched Live feeds are connected correctly.
5. Connect the cables from the DALI Panel
6. Arrange the wiring to avoid running the 240 Volt cables next to the modules output to the LED to obtain the best EMC results.
7. Requirements for 'F' markings must be observed.
8. Identify clearly the NEW Un-switched supply.
9. Ensure the LED Charge Indicator is clearly visible.
10. If fitted within a metal enclosure, connect earth terminal to metal gear tray for improved EMC.
11. This module is not intended for use in luminaires for high-risk task area lighting.
12. This module is protected against battery polarity reversal.

PLEASE READ THESE INSTRUCTIONS BEFORE COMMENCING INSTALLATION & LEAVE WITH END USER

Typical
Conversion
Wiring Diagram



Device Status Indicator:

Green Solid	Battery connected & charging	Red Solid	Emergency LED Fault
Green Fast Flash 0.1 sec On, 0.1 sec Off	Function Test in progress	Red Fast Flash 0.1 sec On, 0.1 sec Off	LED Driver Fault
Green Slow Flash 1.0 sec On, 1.0 sec Off	Duration Test in progress	Red Slow Flash 1.0 sec On, 1.0 sec Off	Battery Fault
Green Very Slow Flash 4.0 sec On, 1.0 sec Off	Automatic Duration Test Passed in last 7 days	Red / Green Alternating	Identification Mode
		Red & Green Off	In Emergency Mode

Luminaire Ref/Location	In Case of difficulty, contact the Installation Engineers:- Tel:									
Full Recharge Time 24 Hours	Duration 3 Hours					Lamp Type - LED				
ROUTINE TEST RECORD										
	Year 1		Year 2		Year 3		Year 4		Year 5	
Monthly Test	Signed	Date	Signed	Date	Signed	Date	Signed	Date	Signed	Date
Functional										
Functional										
Functional										
Functional										
Functional										
Functional										
Functional										
Functional										
Functional										
Functional										
Three Hour										