

**PLEASE READ THESE INSTRUCTIONS
BEFORE COMMENCING INSTALLATION &
LEAVE WITH END USER**

**Installation & Wiring Instructions for
LDQ/2D/17 Panel**

Description:

The Lite-Plan LDQ/2D/17 is an energy efficient replacement LED Panel for a 28W 2D Fluorescent lamp. The circular plate consists of a pattern of 36 LED's powered from the integral mains driver and an additional 8 LED's designed to be run from a 700mA (max) constant current source for non-maintained emergency operation if required.

Specification – Mains Driver & LED's

Supply Voltage	220-240 Volts AC 50/60 Hz
Power Rating	14.5 Watts
Power Factor	0.93
Ambient Temp.	0°C to + 50°C
Max Case Temperature (i)	70°C
Light Source Colour	White
Colour Temperature	4000K
Lumen output	1314 Lumens
General CRI	84
MacAdam Ellipses	3 SCDM
Panel Size	Ø 205mm x 32mm

Specification – Emergency LEDs

Input Voltage	4V DC
Input Current	700mA Max
Light Source Colour	White
Colour Temperature	6000K
Lumen output (ii)	235 Lumens
General CRI	85
MacAdam Ellipses	4 SCDM

(i) Geometric centre of panel
(ii) When used in conjunction with a S/HJT 3 Watt Module

Please note that the above lumen figures are provided as a guidance only and do not take into account any reduction in light output from the cover/diffuser that the LDQ may be installed into.

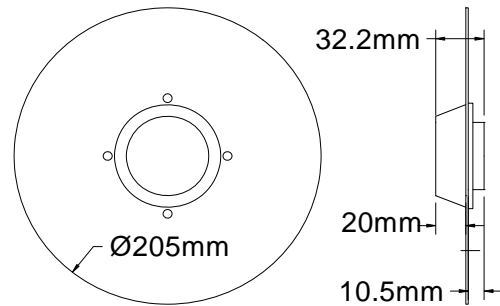
Important

It is recommended that the LED Panel is installed by a competent person ensuring the installation complies with the necessary standards. Lite-Plan accepts no responsibility for injury, damage or loss, which may arise as a result of incorrect installation, operation or maintenance.

If the panel is being used as an Emergency Luminaire, than it requires an unswitched supply for charging the battery as well as the switched supply for maintained operation.

FOR MAINS ONLY LUMINAIRES, ISOLATE THE MAINS SUPPLY BEFORE INSTALLATION OR MAINTENANCE.

FOR MAINS/EMERGENCY LUMINAIRES ISOLATE BOTH MAINS SUPPLIES AND DISCONNECT THE BATTERY, BEFORE INSTALLATION OR MAINTENANCE.



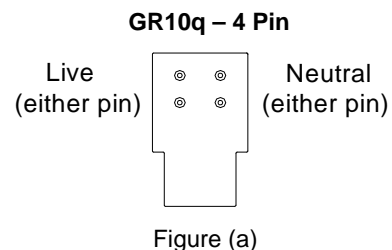
Installation

Mains Only – Switch Start Circuit

- Remove the starter & power factor capacitor (if fitted)
- Remove choke
- Connect the mains directly to the lamp holder as shown in figure (a) below
- Fit LED Panel

Mains Only – HF Ballast

- Remove HF ballast
- Connect the mains directly to the lamp holder as shown in figure (a) below
- Fit LED Panel



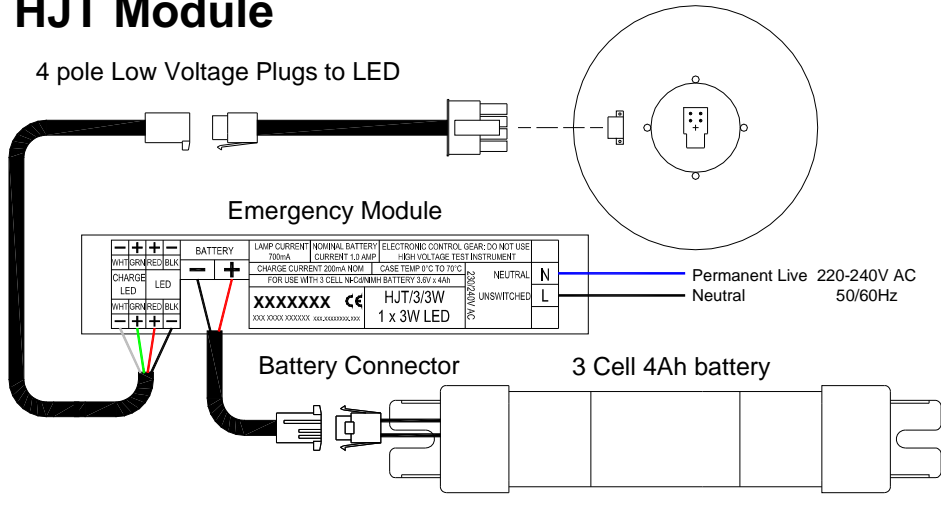
Mains & Emergency

- Install the LED Panel as per one of the above methods.
- Fit emergency module & battery pack into existing luminaire ensuring that they will operate within their temperature ratings.
- If the module & battery pack do not fit integrally, then if possible feed the units into the ceiling void and connect as per diagrams on page 2.
- If the module & battery pack do not fit integrally, then a remote conversion can be used. Ensure that the interconnecting loom is kept as short as possible.
- Arrange the wiring to avoid running the 240 Volt cables next to the modules output to the LED(S) to obtain the best EMC results.
- Requirements for 'F' markings must be observed.
- Identify clearly the NEW Un-switched supply.

Typical Conversion Wiring Diagrams

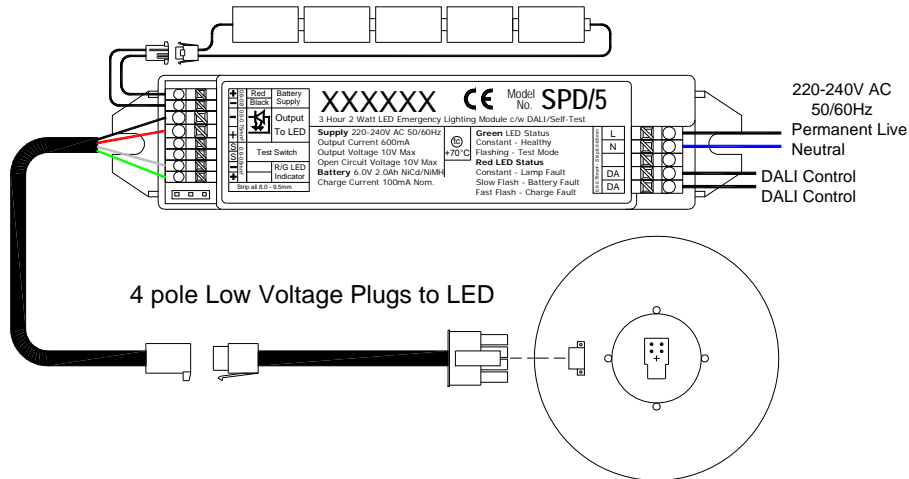
HJT Module

4 pole Low Voltage Plugs to LED



DALI Module

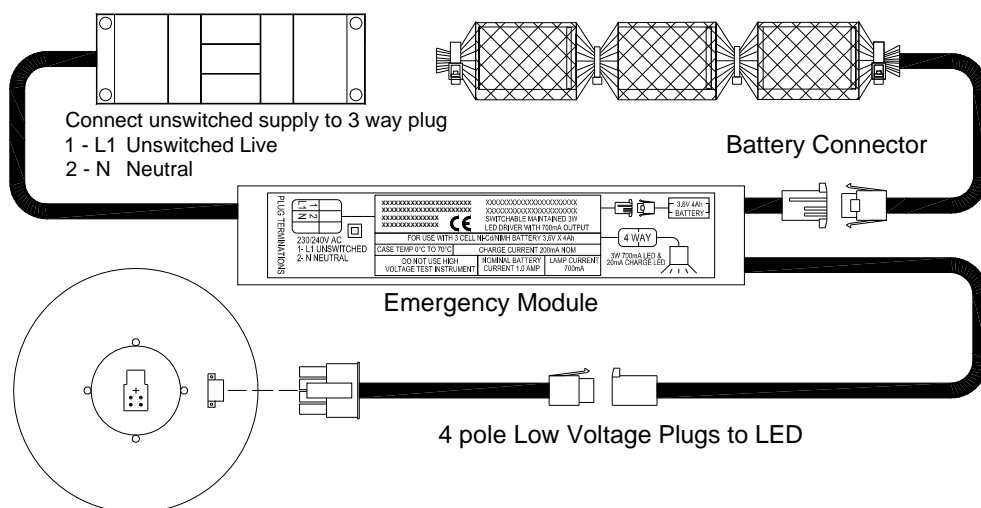
Battery Connector 5 Cell 2Ah battery



S-HJT Module

Mains Connector

3 Cell 4Ah battery



Testing/Commissioning for luminaire fitted with Emergency Pack

- Ensure the Load is connected.
- Connect the battery.
- Switch on the Unswitched Supply - Check the Green Charge LED illuminates.
- Switch on the Maintained Supply - Check the LED Panel illuminates as normal.
- Switch off the Maintained Supply.
- Switch on the Unswitched Supply - Check the Green Charge LED extinguishes and the 8 Emergency LED's illuminate.
- Enter the commissioning date on the Battery Pack. Switch on the Unswitched Supply

Luminaire Ref/Location _____			In Case of difficulty, contact the Installation Engineers:- _____ Tel: _____							
Full Recharge Time 24 Hours			Duration 3 Hours				Lamp Type - LED			
ROUTINE TEST RECORD										
	Year 1		Year 2		Year 3		Year 4		Year 5	
Monthly Test	Signed	Date	Signed	Date	Signed	Date	Signed	Date	Signed	Date
Functional										
Functional										
Functional										
Functional										
Functional										
Functional										
Functional										
Functional										
Functional										
Functional										
Functional										
Three Hour										