

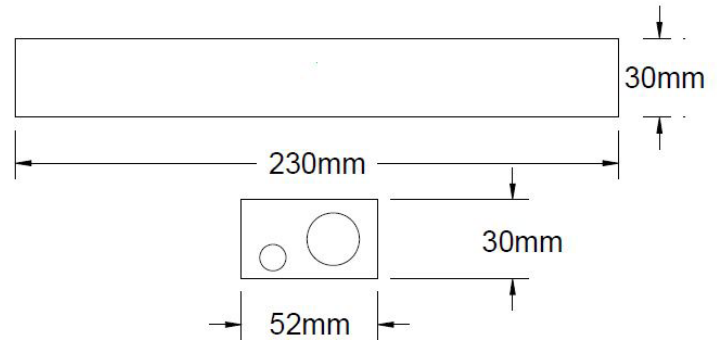
**PLEASE READ** THESE INSTRUCTIONS BEFORE COMMENCING INSTALLATION & LEAVE WITH END USER

### Description:

The Liteplan TED/4/TP60 emergency lighting unit is a remote pack designed to fit through a 60mm aperture and should be used to convert high Voltage DC LED loads to emergency. The TED/4/TP60 will operate LED loads in the Voltage range of 50V to 250V DC, therefore is suitable for many of the high voltage boards/arrays, or longer lengths of low Voltage boards/arrays.

The TED/4/TP60 is designed to be installed by breaking into the low Voltage supply between the driver and the LED load. The TED/4/TP60 allows the LEDs to be operated as normal under mains healthy conditions and operated at reduced light output in an emergency.

The TED/4/TP60 automatically adjusts the output LED voltage and current to provide the best match between the battery and the load, providing maximum illumination.



**TED/4/TP60** For 50-250V DC LED loads  
Open Circuit Voltage (U-OUT) = 300 Volts

### Specification:

Input Voltage	230-240 Volts AC 50/60 Hz
Input Current & PF	23mA - $\lambda = 0.85$
Duration	3 hours
Ambient Temp.	0°C to + 50°C
Max Case Temperature	70°C
Max Battery Temperature	55°C
Terminal Blocks	0.5-1.5mm <sup>2</sup> Screw
Battery Fuse	Internal
Battery Discharge Current	400mA
Discharge Voltage Limit	3.0V
Ingress Protection	IP20
Battery Pack	4.8V 4.5Ah NiCd
Charge Current	200mA $\pm$ 50mA
Recharge Period	24 Hours
Module Size (L x W x H)	230mm x 52mm x 30mm
Supply Fuse - Mains In	20x5mm 1A Quick Blow
Supply Fuse - Mains Out	20x5mm 3.15A Quick Blow
Weight	1.1Kg
Insulation Between Supply and Battery	Double Reinforced

### Warning

**Avoid running the LED mains driver and emergency pack without the load connected. Failure to do so may result in damage to the LED array**

### Important

It is recommended that the remote kit is installed by a competent person ensuring the installation complies with the necessary standards. Liteplan accept no responsibility for injury, damage or loss, which may arise as a result of incorrect installation, operation or maintenance.

The conversion requires an unswitched supply for charging the battery and a switched supply for maintained operation.

**ISOLATE BOTH MAINS SUPPLIES AND DISCONNECT THE BATTERY BEFORE INSTALLATION OR MAINTENANCE.**

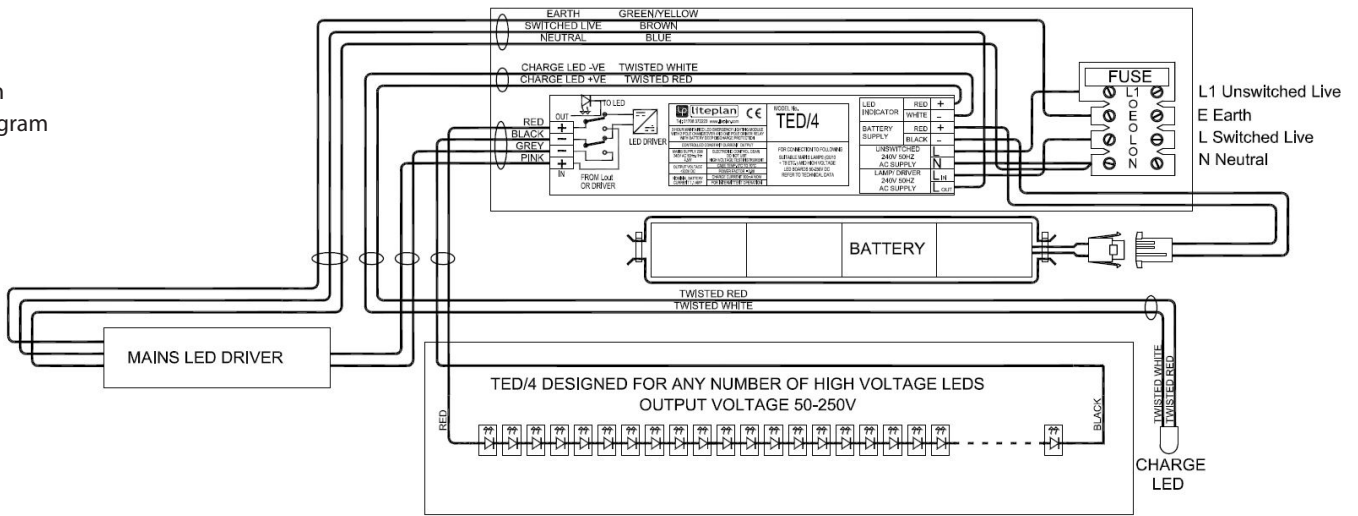
#### Conversion

When converting a luminaire using a remote conversion pack, observe the following points:-

1. Ensure that the enclosure and battery pack will be located in a position where they will operate within their temperature ratings.
2. Ensure that the interconnecting loom is kept as short as possible.
3. Wire the module & battery pack to the luminaire as per wiring diagram on Pg2.
4. Ensure that the Permanent Live & Switched Live feeds are connected correctly.
5. Arrange the wiring to avoid running the 240 Volt cables next to the module output to the LED to obtain the best EMC results.
6. Requirements for 'F' markings must be observed.
7. Ensure the LED Charge Indicator is clearly visible.
8. This module is not intended for use in luminaires for high-risk task area lighting.
9. This module is protected against battery polarity reversal.

PLEASE READ THESE INSTRUCTIONS BEFORE COMMENCING INSTALLATION & LEAVE WITH END USER

Typical Conversion Wiring Diagram



### Testing/Commissioning:

- Ensure the load is connected.
- Connect the battery.
- Switch on the Unswitched Supply - Check the Charge LED illuminates.
- Switch on the Maintained Supply - Check the LED illuminates as normal.
- Switch off the Maintained Supply.
- Switch off the Unswitched Supply - Check the Charge LED extinguishes and the load LED illuminates at a reduced output.
- Enter the commissioning date on the Battery Pack. Switch on the Unswitched Supply

Luminaire Ref/Location		In Case of difficulty, contact the Installation Engineers:- Tel: _____									
Full Recharge Time 24 Hours		Duration 3 Hours				Lamp Type - LED					
ROUTINE TEST RECORD											
	Year 1		Year 2		Year 3		Year 4		Year 5		
Monthly Test	Signed	Date	Signed	Date	Signed	Date	Signed	Date	Signed	Date	
Functional											
Functional											
Functional											
Functional											
Functional											
Functional											
Functional											
Functional											
Functional											
Functional											
Three Hour											