

PLEASE READ THESE INSTRUCTIONS BEFORE COMMENCING INSTALLATION & LEAVE WITH END USER

Description:

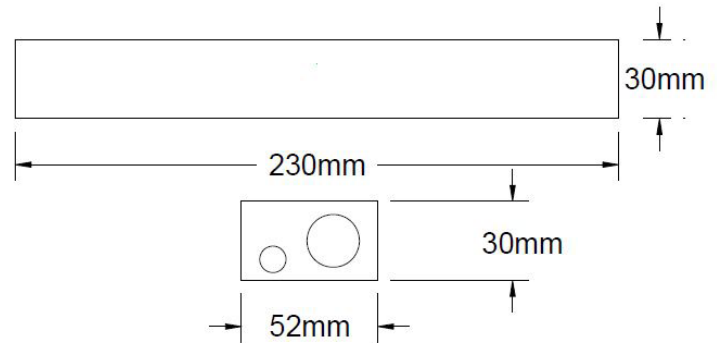
The Liteplan NED/3/TP60 emergency lighting unit is a remote pack designed to fit through a 60mm aperture. The Liteplan NED/3 emergency lighting modules are designed to convert a wide range of LED types with two versions. The NED/3/TP60 converts most standard LED luminaires and arrays containing from 2 to 20 LEDs in series, whilst the NED/3/80/TP60 extends the range by converting from 2 to 30 LED's in series.

The modules are designed to be installed by breaking into the low voltage connection between the mains LED Driver and the LEDs and allows the LEDs to be operated as normal under mains healthy conditions and operated at reduced light output in an emergency.

The module automatically adjusts the output LED current to provide the best match between the battery and the load, providing maximum illumination whilst ensuring full battery duration and are compatible with a wide range of lighting.

Specification:

Input Voltage	230-240 Volts AC 50/60 Hz
Input Current & PF	23mA - $\lambda = 0.85$
Duration	3 hours
Ambient Temp.	0°C to + 50°C
Max Case Temperature	70°C
Max Battery Temperature	55°C
Terminal Blocks	0.5-1.5mm ² Screw
Battery Fuse	Internal
Battery Discharge Current	400mA
Discharge Voltage Limit	2.5V
Ingress Protection	IP20
Battery Pack	3.6V 4.5Ah NiCd
Charge Current	200mA \pm 50mA
Recharge Period	24 Hours
Module Size (L x W x H)	230mm x 52mm x 30mm
Supply Fuse - Mains In	20x5mm 1A Quick Blow
Supply Fuse - Mains Out	20x5mm 3.15A Quick Blow
Weight	1.1Kg
Insulation Between Supply and Battery	Double Reinforced



NED/3/TP60

For 6-55V DC LED loads
Open Circuit Voltage (U-OUT) = 60 Volts

NED/3/80/TP60

For 15-80V DC LED loads
Open Circuit Voltage (U-OUT) = 90 Volts

Warning

Avoid running the LED mains driver and emergency pack without the load connected. Failure to do so may result in damage to the LED array

Important

It is recommended that the remote kit is installed by a competent person ensuring the installation complies with the necessary standards. Liteplan accept no responsibility for injury, damage or loss, which may arise as a result of incorrect installation, operation or maintenance.

The conversion requires an unswitched supply for charging the battery and a switched supply for maintained operation.

ISOLATE BOTH MAINS SUPPLIES AND DISCONNECT THE BATTERY BEFORE INSTALLATION OR MAINTENANCE.

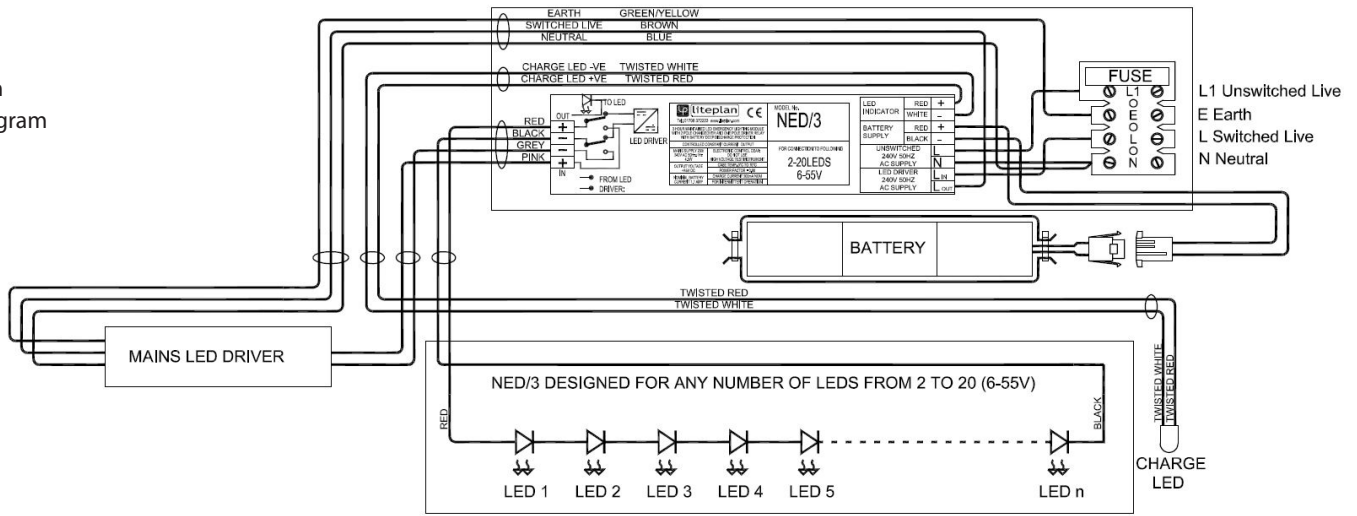
Conversion

When converting a luminaire using a remote conversion pack, observe the following points:-

1. Ensure that the enclosure and battery pack will be located in a position where they will operate within their temperature ratings.
2. Ensure that the interconnecting loom is kept as short as possible.
3. Wire the module & battery pack to the luminaire as per wiring diagram on Pg2.
4. Ensure that the Permanent Live & Switched Live feeds are connected correctly.
5. Arrange the wiring to avoid running the 240 Volt cables next to the module output to the LED to obtain the best EMC results.
6. Requirements for 'F' markings must be observed.
7. Ensure the LED Charge Indicator is clearly visible.
8. This module is not intended for use in luminaires for high-risk task area lighting.
9. This module is protected against battery polarity reversal.

PLEASE READ THESE INSTRUCTIONS BEFORE COMMENCING INSTALLATION & LEAVE WITH END USER

Typical Conversion Wiring Diagram



Testing/Commissioning:

- Ensure the load is connected.
- Connect the battery.
- Switch on the Unswitched Supply - Check the Charge LED illuminates.
- Switch on the Maintained Supply - Check the LED illuminates as normal.
- Switch off the Maintained Supply.
- Switch off the Unswitched Supply - Check the Charge LED extinguishes and the load LED illuminates at a reduced output.
- Enter the commissioning date on the Battery Pack. Switch on the Unswitched Supply

Luminaire Ref/Location		In Case of difficulty, contact the Installation Engineers:- Tel:									
Full Recharge Time 24 Hours		Duration 3 Hours				Lamp Type - LED					
ROUTINE TEST RECORD											
	Year 1		Year 2		Year 3		Year 4		Year 5		
Monthly Test	Signed	Date	Signed	Date	Signed	Date	Signed	Date	Signed	Date	
Functional											
Functional											
Functional											
Functional											
Functional											
Functional											
Functional											
Functional											
Functional											
Functional											
Three Hour											